

BROCTON 68" CAST IRON ROLL TOP TUB

Cat. No.
CTR67



L: 68"
W: 30-1/8"
H: 24-3/4" (from floor to top of tub)
19-1/4" (from bottom of tub to top of tub)

Features:

- ▶ Inside finish is white enamel
- ▶ Cast Iron ball and claw feet available in 8 finishes or unfinished
- ▶ Tub exterior is white (epoxy)
- ▶ 3-3/8" centers in tub wall
- ▶ Non-skid strips
- ▶ Feet are attached and leveled before shipment
- ▶ Tub is thoroughly inspected before shipment

Foot Finishes:

UF Unfinished
BL Painted Black
BQ Painted Bisque
PB Polished Brass



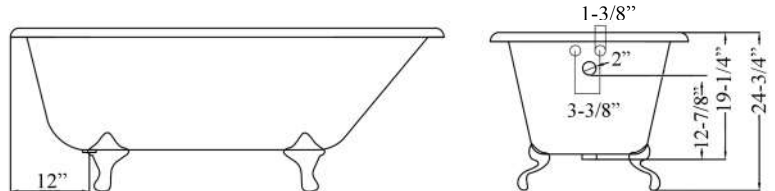
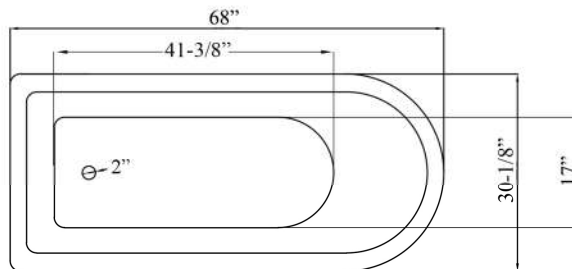
CP Polished Chrome
WH Painted White
PN Polished Nickel
SN Brushed Nickel
ORB Oil Rubbed Bronze

Custom Colors Available (inside of tub is always white enamel):
Painted bathtubs are considered "special order" and are not returnable
\$160 Bisque or Black \$250 Designer Color

The following is recommended for CTR67 tubs with faucet holes:

- Tub wall-mounted faucets or hand-held showers: part# 4022, 4025, 4035
- Tub wall-mounted faucets for use with risers: part# 4001, 4013, 4023, 4030, 0431
- Double offset bath supplies: part #5576
- Leg tub drain: part #5599
- Complete shower unit: part# 4124, 4143

Gallon Capacity: 57
Shipping Weight: 502 lbs.
Empty Weight: 309 lbs.
Filled Weight: 785 lbs.



CODE RECTANGULAR SHOWER UNIT

Cat. No.
4198



Features:

- ▶ Rectangular shower rod is $\frac{3}{4}$ " solid brass tubing
- ▶ Code spout is 4" above handles
- ▶ $3\frac{3}{8}$ " Centers for tub wall mount installation
- ▶ Compression stems
- ▶ Flow rate is 4 GPM
- ▶ Metal lever handles
- ▶ Polished Chrome and Polished Brass have plastic showerhead
- ▶ Brushed Nickel, Polished Nickel and Oil Rubbed Bronze have a metal showerhead
- ▶ Includes ceiling and wall support assemblies
- ▶ Supports adjustable by cutting
- ▶ Available with 48" (#4198-48) or 54" (#4198-54) shower rod
- ▶ Finish varies by size

Finishes:

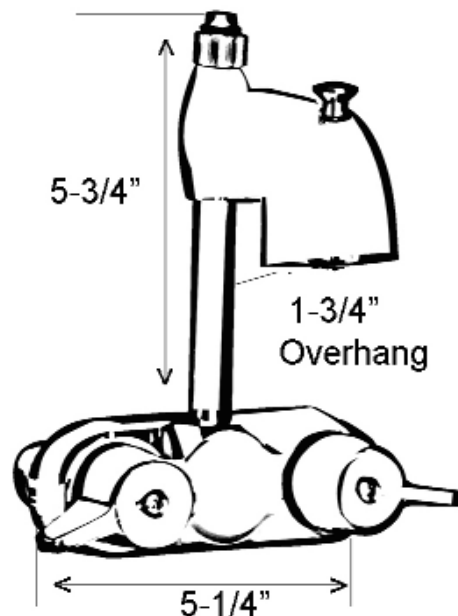
CP Polished Chrome
BN Brushed Nickel
PB Polished Brass
PN Polished Nickel
ORB Oil Rubbed Bronze

SIZE	FINISH
48" x 24"	CP, BN, ORB, PB, PN
54" x 24"	PB, CP

Shower Rod:

L: 48" D: 24"
 L: 54" D: 24"

Riser Height: 56"
 Wall Support: 10"
 Ceiling Support: 30"
 Spout Over-hang: 1 $\frac{3}{4}$ "
 Faucet Body Width: 5 $\frac{1}{2}$ "



Dimensions are nominal and may vary. Dimensions and specifications subject to change without notice.

DOUBLE OFFSET BATH SUPPLIES

Cat.No.
5576



H: 24"

OD: 1/2"

Features:

- ▶ For use with faucets mounted to the tub wall
- ▶ No Stops
- ▶ 1/2" Compression inlet
- ▶ 3/4" Compression outlet
- ▶ 0.500" Outer diameter
- ▶ 0.440" Inner diameter
- ▶ 0.030" Thickness of the wall
- ▶ IAPMO approved
- ▶ Available in 5 finishes

Compliance Certification

Meets or exceeds the following specifications: ASME-A112 (and 19.6M) for Vitreous china fixtures. ASME 112.19.9M for fire clay fixtures.

Finishes:

CP Polished Chrome
PB Polished Brass
ORB Oil Rubbed Bronze

PN Polished Nickel
BN Brushed Nickel



Use on concrete floors requires special installation. We recommend using a plumbing professional.

Dimensions and specifications subject to change without notice.

LEG TUB DRAIN

Cat. No.
5599



Escutcheon Height: 1-1/4"

Features:

- ▶ Twist-and-lift stopper
- ▶ Includes deep escutcheon
- ▶ Height adjustable 15"-18"
- ▶ Depth adjustable 12"-14"
- ▶ Includes deep escutcheon
- ▶ IAPMO approved
- ▶ Available in 5 Finishes

Finishes:

- CP** Polished Chrome
- BP** Polished Brass
- SN** Brushed Nickel
- PN** Polished Nickel
- ORB** Oil Rubbed Bronze

#5599 Leg Tub Drain



Dimensions and specifications subject to change without notice.